



# SILENT PAC™ by ACCURATE

Reduce Disturbance From Door Noise.  
Dramatically.

A suite of acoustically engineered door hardware designed to soften noise from opening and closing doors, ultimately resulting in more peaceful and quiet environments.

SILENT **PAC**™ by ACCURATE



## Reduce disturbance from door noise. Dramatically.

SilentPac™ by Accurate is a suite of acoustically engineered door hardware designed to soften noise from opening and closing doors, ultimately resulting in more peaceful and quiet environments.



### **REDUCE NOISE UP TO 16X**

Experience ultra quiet environments



### **SIMPLE INSTALLATION**

Ideal for both new doors and retrofit applications



### **MAINTAIN AESTHETICS**

Designed to be compatible with most other brands' hardware for maximum flexibility



# SSSSHHHHHHUT THE DOOR

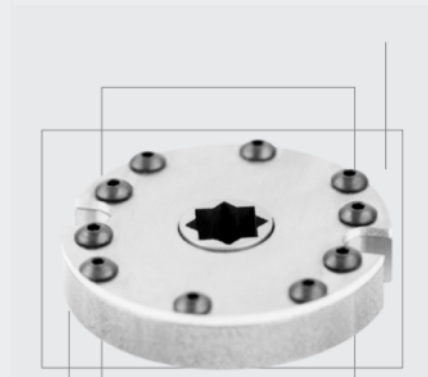
## SilentPac™ Solutions Products



### 9100Q QUIET MORTISE LOCK

The cushioned latch bolt and insulated lock body muffle noise to operate at a low decibel range.

Grade 1 certified and UL Listed 3 Hour



### LEVER DAMPENING DISC

Diminishes noise by making lever return smoother and slower to avoid the abrupt snapback of levers into place.



### MAGNETIC LATCH

Specific for use on interior doors, a powerful rare-earth magnet projects the latch bolt to secure the door with quiet operation. The seamless, non-lipped strike is invisible when door is closed creating a minimalistic doorway.



### QUIET POCKET DOOR LOCK

Features a slow release of the edge pull resulting in a quieter solution for space-saving pocket doors.

Accurate Lock Series	Add SilentPac™ Lever Dampening Disc	Description
9100Q	✓	Complete Quiet Package
9100Q		Quiet Lock with no Lever Dampening Disc
9100	✓	Regular 9100 lock with Lever Dampening Disc
8500	✓	8500 Lock with Lever Dampening Disc
8800	✓	8800 Lock with Lever Dampening Disc
9500	✓	9500 Lock with Lever Dampening Disc
9800	✓	9800 Lock with Lever Dampening Disc
8800ML	✓	8800 Magnetic Latch with Lever Dampening Disc
9100ML	✓	9100 Magnetic Latch with Lever Dampening Disc
9500ML	✓	Quietest Interior Mortise Set
9800ML	✓	Quietest Interior Mortise Set
2002Q		2002CPDL with Quiet Edge Pull
2000Q		2000 Pocket Door with Quiet Edge Pull
2002CPDP-Q		2002CPDP Pocket Door with Quiet Edge Pull (Only)
2002CPDS-Q		2002CPDS Pocket Door Strike with Quiet Edge Pull (Only)



# The Complete Quiet Package

SILENT **PAC**<sup>™</sup> | QUIET  
by ACCURATE LOCK

SILENT **PAC**<sup>™</sup> | LEVER  
by ACCURATE DAMPENING DISC

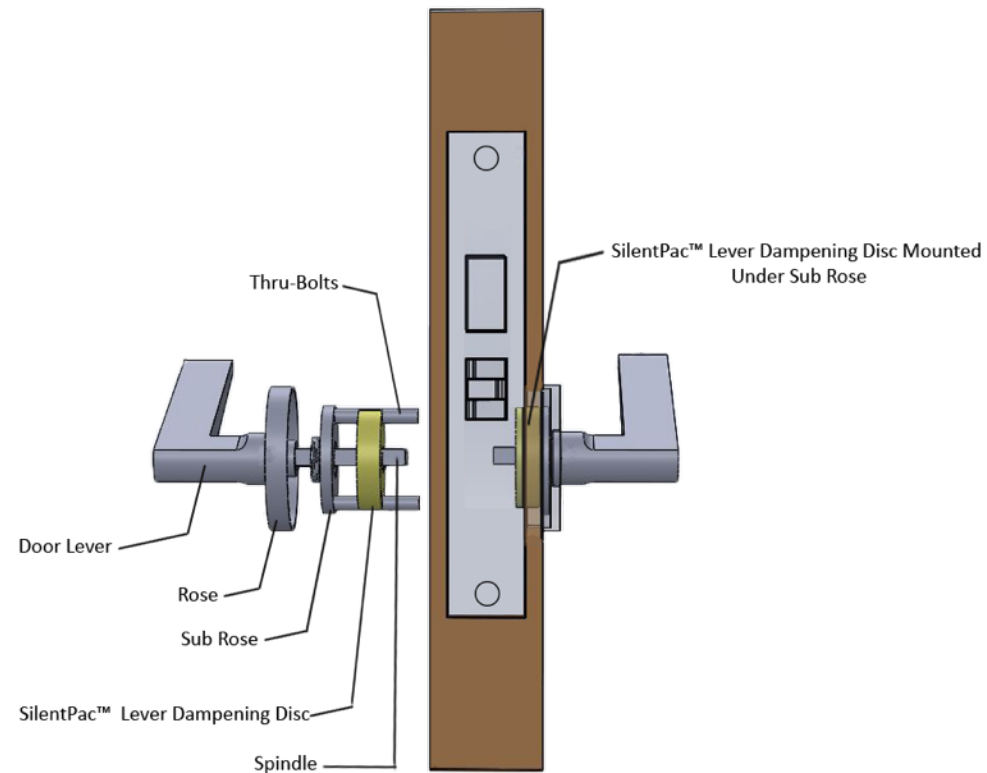
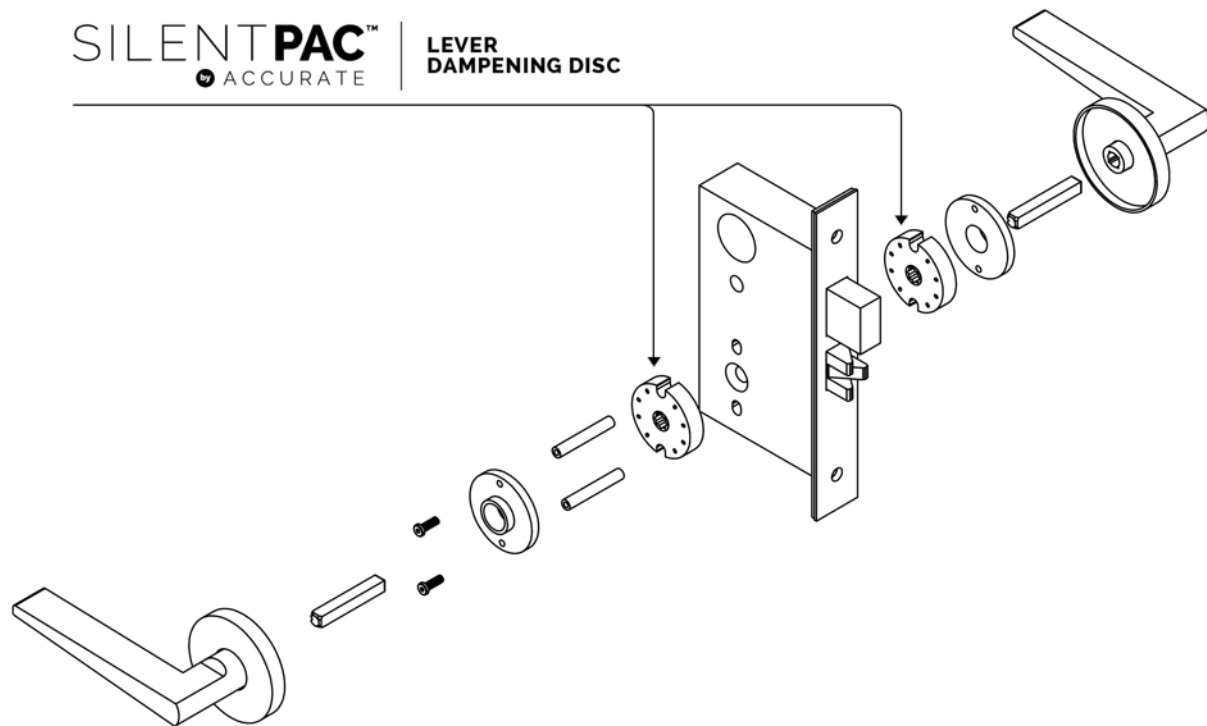
# The Complete Quiet Package

## 9100Q Quiet Lock & Lever Dampening Disc



**SILENT PAC™**  
by ACCURATE

**LEVER  
DAMPENING DISC**



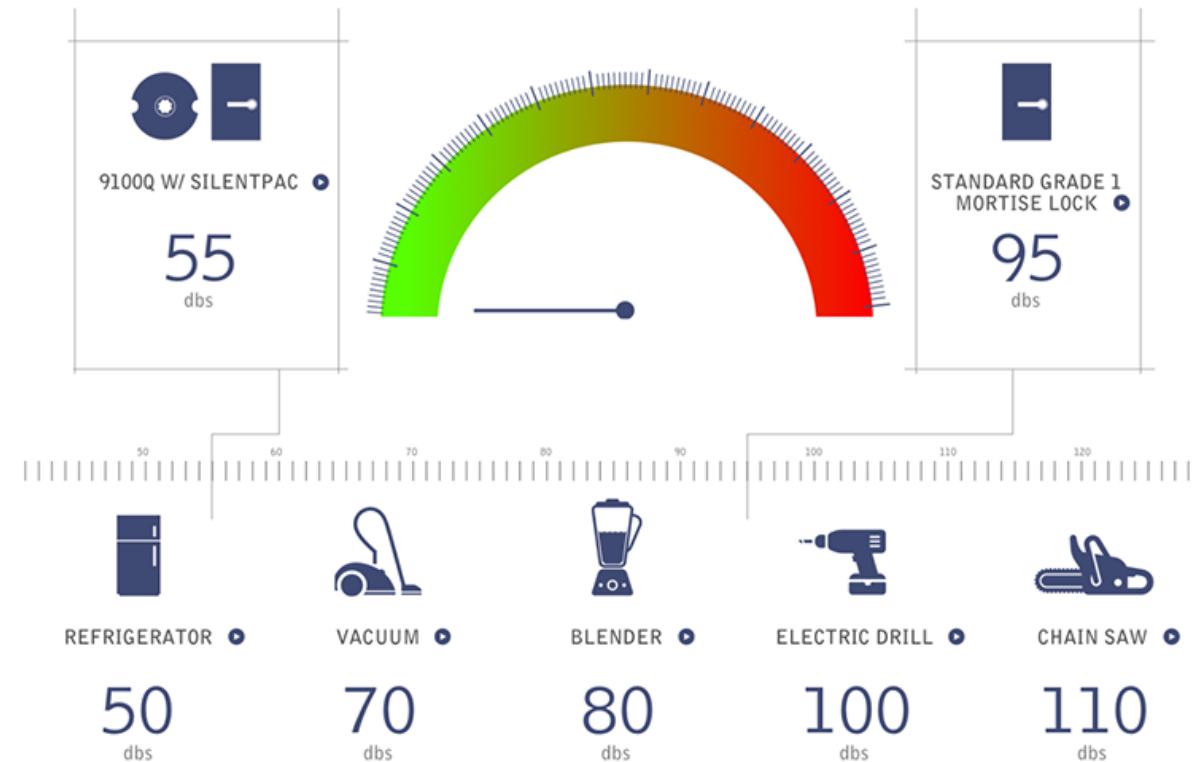
Shown here with 9139Q Privacy Lock that requires a split spindle and 2 SilentPac™ Lever Dampening Discs.

# The Complete Quiet Package: 9100Q Quiet Lock & Lever Dampening Disc

## Understanding Decibel Levels

### TECHNICAL DETAILS

- Functions at 55 decibels, 16x decibel reduction compared to standard Grade 1 mortise locks
- UL Listed 3 Hour (R134846)
- Grade 1 certified to ANSI/BHMA A156.13.2005
- Insulated lock body features noise muffling for lower decibel reduction
- Cushioned Latch bolt: softens noise common to latch firing into strike
- For doors with stiles 4" and greater
- Available in upside down configuration (lever/knob high)
- Patent-Pending



11 | 10 | 9 | 8 | 7 | 6 | 5 | 4 | 3 | 2



**SILENT PAC™**  
by ACCURATE

**LEVER  
DAMPENING DISC**





# SilentPac™ Lever Dampening Disc Compatibility

## For Accurate Lock Series:

8500/8800

8800ML

9100ML

9500ML/9800ML

## For other manufacturers' mortise locks:

Schlage

Corbin Russwin

Sargent

## For other manufacturers' trim:

Baldwin

Corbin Russwin

FSB

Schlage

Classis Brass



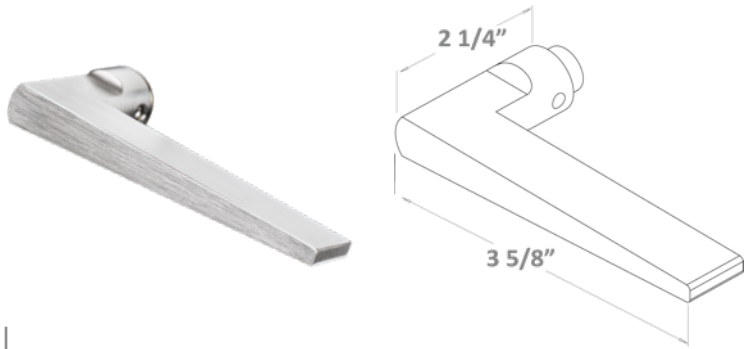
### EXPERIENCE THE DIFFERENCE

Open the door to quieter environments. See and hear how SilentPac™ Solutions operate compared to standard door hardware.  
([www.silentpacsolutions.com](http://www.silentpacsolutions.com))

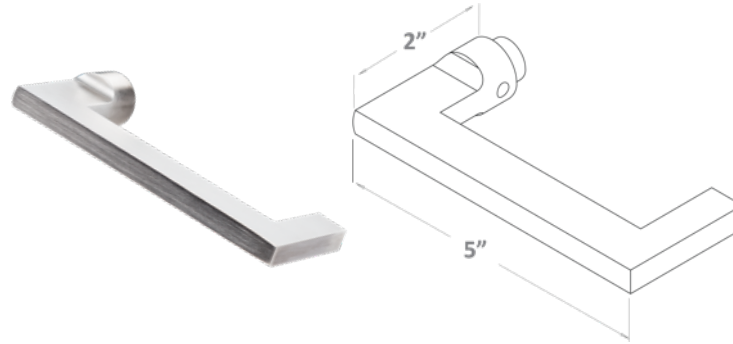
# SilentPac™ Lever Dampening Disc

## Accurate Designer Lever Trim Options

18L LEVER

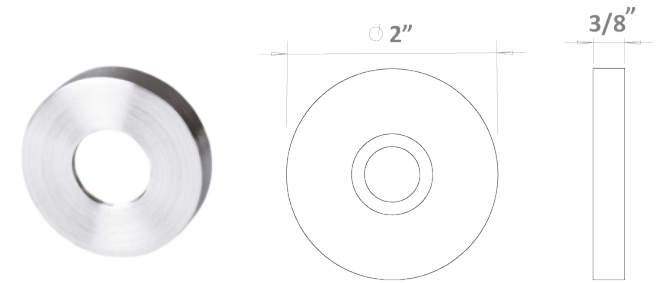


20L LEVER

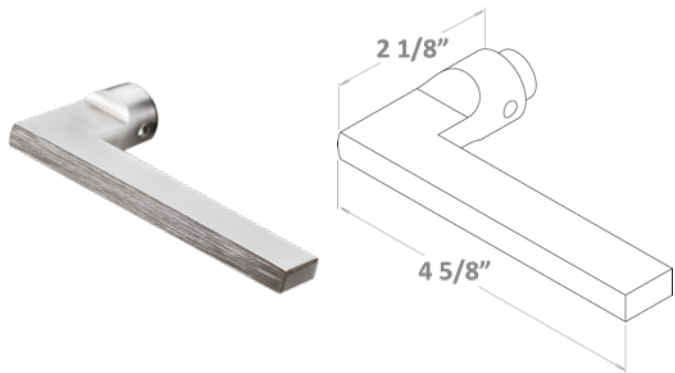


1R ROSE

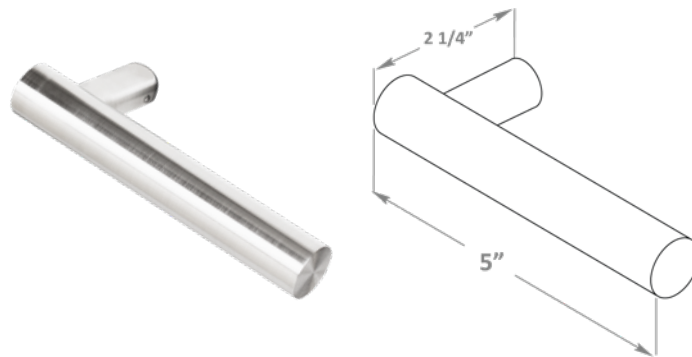
Compatible with all levers



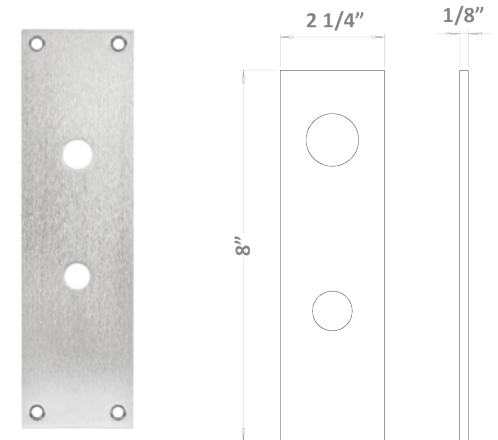
19L LEVER



7200L LEVER



1E ESCUTCHEON  
Compatible with all levers





# SILENT **PAC**<sup>™</sup>

by ACCURATE

## MAGNETIC LATCH

# SILENT PAC™ by ACCURATE

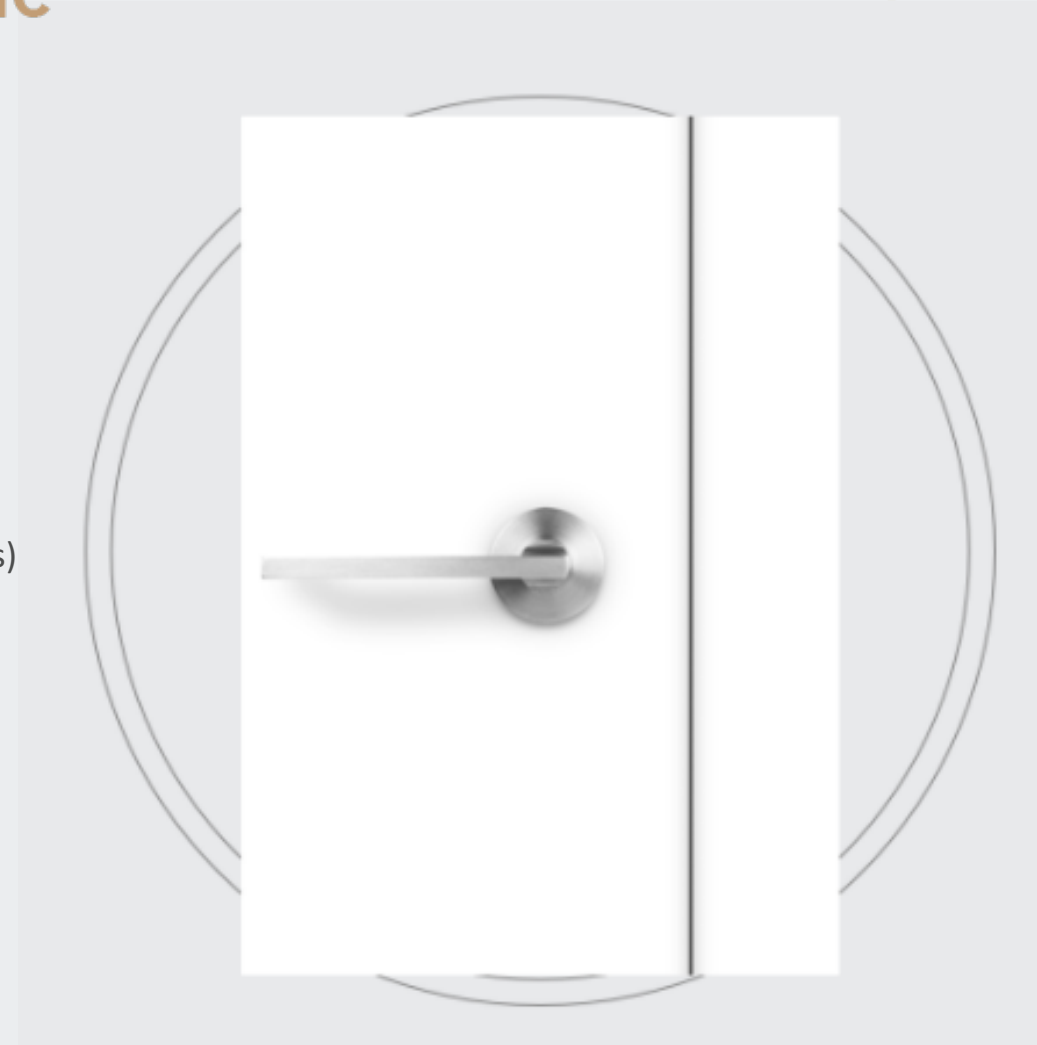
## MAGNETIC LATCH

### MINIMALISTIC FOR SEAMLESS SILENCE

- A powerful rare-earth magnet projects the latch bolt to secure the door
- Contemporary non-lipped strike is invisible when door is closed
- The new Hub Adjust feature keeps levers perfectly level regardless of their design
- 9500/9800ML Series are the quietest mortise sets designed for interior doors (SilentPac™ Magnetic Latch also available for Accurate 8800 and 9100 Series Locks)
- Compatible with Accurate Designer Lever Trim Options (see pg. 10)

### 9500ML/9800ML TECHNICAL DETAILS

- Non-handed for simple installation
- Passage, privacy and bit key functions
- 2", 2<sup>1</sup>/<sub>2</sub>", 2<sup>3</sup>/<sub>4</sub>" backsets available (for door stiles starting at 3")
- Custom backsets, marine grade and/or non-ferrous options available
- 9500 series features a 2<sup>1</sup>/<sub>4</sub>" vertical spacing while on the 9800 series vertical spacing is 2<sup>7</sup>/<sub>8</sub>"



SilentPac™ Magnetic Latch 9500ML/9800ML shown with 19L Lever



# SILENT PAC™

by ACCURATE

**QUIET POCKET  
DOOR LOCK**

# SILENT PAC™

by ACCURATE

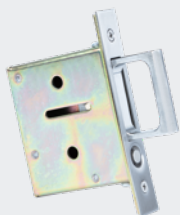
## QUIET POCKET DOOR LOCK

### 2002Q QUIET POCKET DOOR LOCK

- Features a spring loaded, slow-releasing edge pull that allows for quiet and comfortable operation to pull door out of pocket
- Premium quality mortise lock
- Narrow and large backsets available
- Available for: 2002Q Privacy Pocket Door Lock with Integrate Edge Pull, 2000Q Pocket Door with Quiet Edge Pull, 2002CPDP-Q Pocket Door with Quiet Edge Pull (Only), 2002CPDS-Q Pocket Door Strike with Quiet Edge Pull (Only)



2002Q



2000Q



2002CPDP-Q



2002CPDS-Q



### SEE AND HEAR THE DIFFERENCE

See and hear how the SilentPac™ Quiet Pocket Door Lock operates compared to the standard.  
(<http://bit.ly/QuietPocketDoorLock>)

**ACCURATE LOCK & HARDWARE  
MANUFACTURERS OF CUSTOM LOCKS  
AND ARCHITECTURAL HARDWARE**

1 Annie Place | Stamford, CT 06902

**P:** 203.348.8865

**F:** 203.348.5234

**E:** sales@accuratelockandhardware.com

**www.silentpacsolutions.com**

**www.accuratelockandhardware.com**

